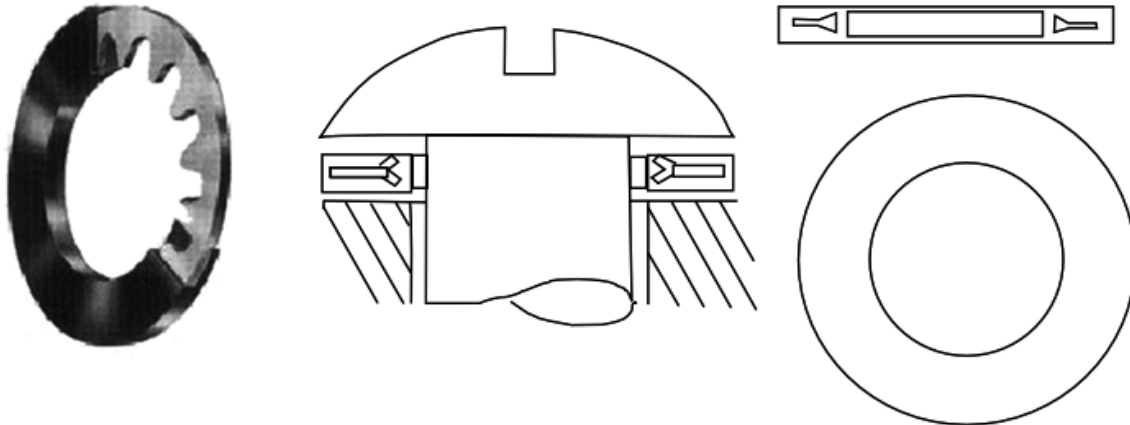


Seloc rubber coloured lockwasher



The shakeproof washer is well known for its ability to resist vibration, the effect of tightening the bolt or nut causing the metal serrations to pierce the rubber, bite into the relative metal surface and thus providing the necessary locking action. The covering or rubber reduces the risk of corrosion that would occur with a normal lockwasher by enveloping the scores in the protective treatment on the metal face to give effective protection against moisture and oxidation.

The key benefits

- resists vibration
- suitable for pre-build assemblies
- options for water, mineral and alkalis
- used on painted, plated and stove enamelled surfaces
- temperature range -70 to +200C

Seloc rubber covered lockwasher applications: 1547 (preferred) is also available as a released

Material Reference	Applications								Polymer Base	Material Specification	Temperature Range °C	Hardness IRHD
	Mineral Based Fluids	National Water Council Approved	Food & Drug Authority Approved	Petrol	Mineral Based Engine Lubricating Oils, Diester Type Lubricating Oils	High Temperature Applications	Ozone Resistance	Hot Air				
0117	•		•	•					High Nitrile		-30 to +110	65 to 75
4470	•								Medium Nitrile	ASTM D2000 M2 BG S10, B14, EA14, EF11, EF21, EO14, EO34, F12, Z	-40 to +110	65 to 75
2455		•	•							ASTM D2000 M2 BG 714, B14, EA14, EF11, EF21, EO14, EO34, F17, Z1, Z2	-40 to +110	65 to 75
2064							•	•	Ethylene Propylene	ASTM D2000 M3 DA710, A26, B36, C32, EA14	-50 to +120	70 to 80
9775				•	•	•	•	•	Fluoro-Carbon	AST 2000 M6 HK, 81081-10, B38, EF30, EO88, Z1, Z2	-15 to +200	71 to 80
8870								•	Silicone		-70 to +200	65 to 75
1574	•			•	•		•	•	PVC/Nitrile Blend	AFS 920A	-10 to +80	56 to 64



ORDER REFERENCES FOR SELOC RUBBER COVERED LOCKWASHER

Sample Dowty part No.

Product Reference	Size Reference	Material Reference	Metal Lock Washer
435-	006-	1574-	91

PRODUCT REFERENCES

Aerospace and Defence Released 335
 Industrial Non - Released 435

SIZE AND RANGE REFERENCES

Select from table below, and insert the appropriate size reference.
 e.g. 006 = 5/16 Imperial or M8 thread size.

MATERIAL REFERENCES

From table below, select the compound most suitable to the application requirements.
 e.g. 4470 = non released 70 IRHD medium nitrile.

METAL LOCK WASHER

e.g. 91 = metal lock washer.

SIZE REFERENCE	THREAD SIZE		OUTSIDE DIAMETER A	INSIDE DIAMETER B	THICKNESS C
	IMPERIAL	METRIC			
001	6BA, 4UNC	2,5, 2,6	7.62	3.05	1.27
002	4BA, 6UNC	3	8.64	3.81	1.27
003	3BA, 8UNC	3,5, 4	10.16	4.32	1.40
004	2BA, 7/16in	4	11.18	4.95	1.52
005	1/4	6	13.34	6.60	1.78
006	3/16	8	16.26	8.26	1.78
007	1/8	9	18.54	9.78	2.03
008	7/16	10	21.00	11.38	2.29
009	1/2	12	23.37	13.08	2.29
010	9/16	14	25.65	14.73	2.29
011	5/8	16	28.19	16.26	2.54
012	3/4	18	32.90	19.43	2.67
013	7/8	22	36.58	22.86	2.79
014	1	24	42.55	26.29	3.05